



**MODEL CX415
1HP PORTABLE
DUST COLLECTOR
USER MANUAL**



TABLE OF CONTENTS

General Safety Instructions.....	3
CX415 Specific Safety Instructions.....	4
Features.....	5
Physical Features	6
Proper Grounding	7
Unpacking.....	8
Assembly	8
ON/OFF Switch.....	10
Test Run	10
Operation.....	11
Machine Storage.....	11
Maintenance	11
Lubrication	11
Emptying Collection Bag.....	11
Motor.....	12
Impeller Screw	12
Parts Diagram.....	13
Parts List.....	14
Warranty	16

GENERAL SAFETY INSTRUCTIONS

Extreme caution should be used when operating all power tools. Know your power tool, be familiar with its operation, read through the owner's manual and practice safe usage procedures at all times.

- ❖ **CONNECT** your machine only to the matched and specific power source.
- ❖ **ALWAYS** wear safety glasses respirators, hearing protection and safety shoes, when operating your machine.
- ❖ **DO NOT** wear loose clothing or jewelry when operating your machine.
- ❖ **GROUND ALL TOOLS** if tool is equipped with three-prong plug, it should be plugged into a three-hole electrical receptacle. If an adapter is used to accommodate a two-prong receptacle, the adapter plug must be attached to a known ground. Never remove the third prong.
- ❖ **A SAFE ENVIRONMENT** is important. Keep the area free of dust, dirt and other debris in the immediate vicinity of your machine.
- ❖ **KEEP CHILDREN AND VISITORS AWAY.** All children and visitors should be kept a safe distance from work area.
- ❖ **NEVER** leave a tool unattended while the machine is in operation.
- ❖ **DON'T OVERREACH.** Keep proper footing and balance at all times.
- ❖ **DISCONNECT** the power source when changing drill bits, hollow chisels, router bits, shaper heads, blades, knives or making other adjustments or repairs.
- ❖ **SECURE WORK.** Use clamps or a vise to hold work when practical. It's safer than using your hand and frees both hands to operate tool.
- ❖ **BE ALERT! DO NOT** use prescription or other drugs that may affect your ability or judgment to safely use your machine.
- ❖ **MAINTAIN TOOLS IN TOP CONDITION.** Keep the blades sharp and aligned. Follow instructions for lubricating and changing accessories.
- ❖ **DISCONNECT TOOLS** before servicing and when changing accessories such as blades, bits, cutters, etc.
- ❖ **ALWAYS** keep all safety guards in place and ensure their proper function.
- ❖ **ALWAYS** operate machinery in well ventilated areas and use wood dust collection systems whenever possible.
- ❖ **ALWAYS** read and understand the user manual before starting the machine. Failure to do so, could result in serious personal injury or damage to the machine.

CX415 1HP PORTABLE DUST COLLECTOR

SPECIFIC SAFETY INSTRUCTIONS

Read and understand the instruction manual before operating the dust collector. Basic precautions listed below should always be followed when using your dust collector to reduce the risk of injury, electrical shock or fire.

- ❖ The CX415 is designed to collect sawdust only.
- ❖ **Never** attempt to use this dust collector to vacuum water or any other liquids.
- ❖ **Never** try to use this dust collector to collect large wood pieces.
- ❖ **Never** attempt to use this dust collector to collect metal materials such as screws, nails or other metal parts.
- ❖ **Always** wear respiratory and safety glasses when emptying dust from the collection bags.
- ❖ **Never** operate the dust collector with all blast gates closed.
- ❖ **Always** disconnect the dust collector from its power source when changing or emptying the bags.
- ❖ **Always** be sure that the collection and filter bags are securely fastened to collector body.
- ❖ **Do not** place your hand or tools nears the open inlet while operation. Serious personal injury or damage to the machine can happen.
- ❖ **Always** connect dust collector to the matched power source.

IMPORTANT!

The safety instructions given above can not be complete because the environment in every shop is different. Always consider safety first as it applies to your individual working conditions.



1HP PORTABLE DUST COLLECTOR FEATURES

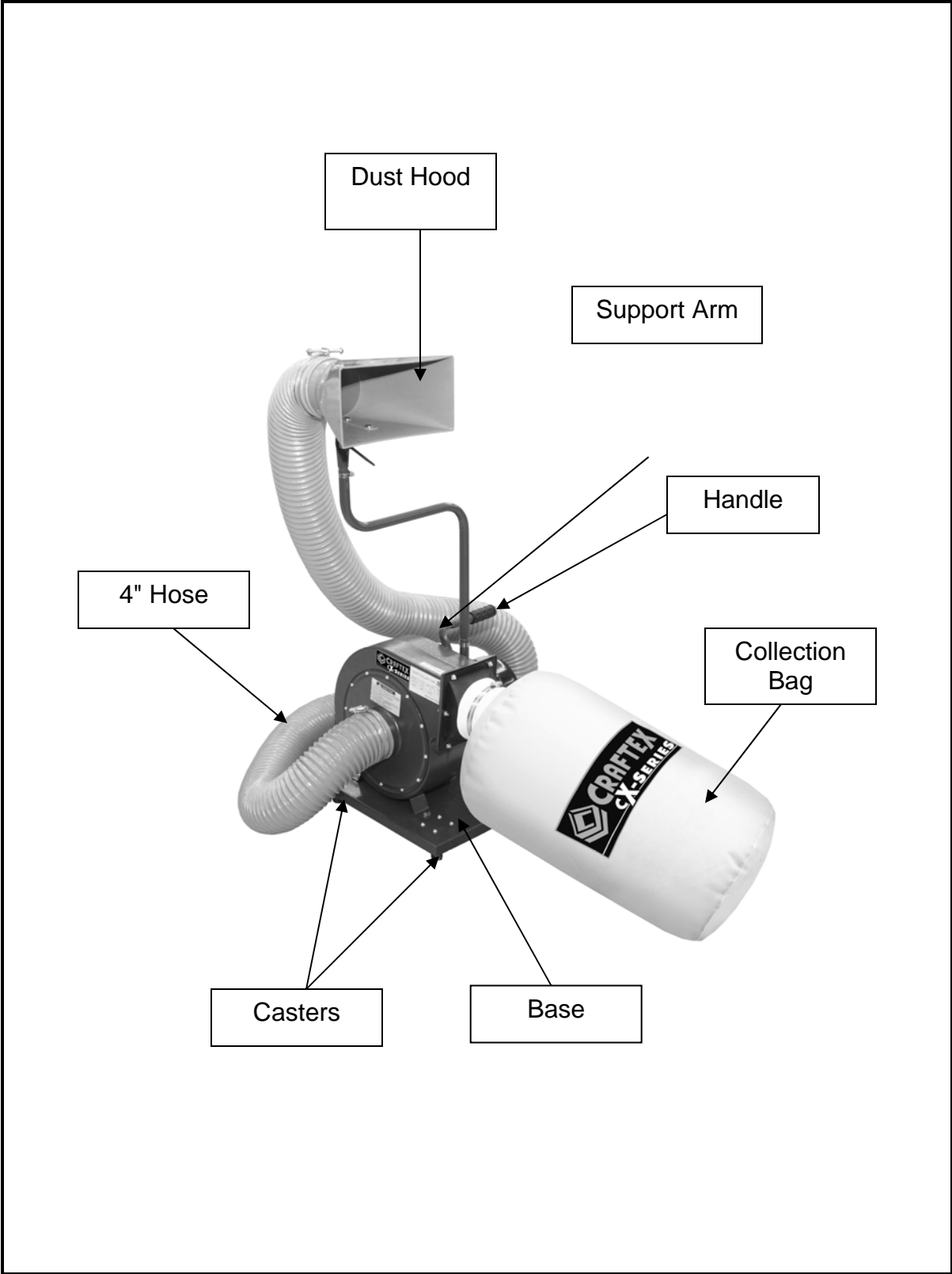
MODEL CX415 1HP PORTABLE DUST COLLECTOR

As part of the growing line of Craftex woodworking equipment, we are proud to offer the CX415. By following the instructions and procedures laid out in this owner's manual, you will receive years of excellent service and satisfaction. The CX415 is a professional tool and like all power tools, proper care and safety procedures should be adhered to.

- ❖ Motor 1-HP, 110-V, 7.4 Amps
- ❖ Sound Rating 55 - 65 dB
- ❖ ON/OFF Switch with Removable Key..... Yes
- ❖ Balanced Steel Impeller Yes
- ❖ Impeller Size 9"
- ❖ Static Pressure 8"
- ❖ Air Suction Capacity 600 CFM
- ❖ Intakes..... One 4"
- ❖ Four Casters for Ease of Movement Yes
- ❖ Can also be Installed without Casters for Stationery Use..... Yes
- ❖ Weight 24 Kg
- ❖ Warranty..... 3 Years



CX514 PHYSICAL FEATURES



PROPER GROUNDING

Grounding provides a path of least resistance for electric current to reduce the risk of electric shock.

CX415 is for use on a normal 110 volt circuit. Make sure that the machine is connected to an outlet having the same configuration as the plug. If an adaptor plug is used, it must be attached to the metal screw of the receptacle. To prevent electrical hazards, have a qualified electrician ensure that the line is properly wired.

The dust collector should be wired with a plug having 3 prongs to fit a 3 prong grounded receptacle as shown in figure-1. Do not remove the grounding prong to fit it into a 2 pronged outlet.

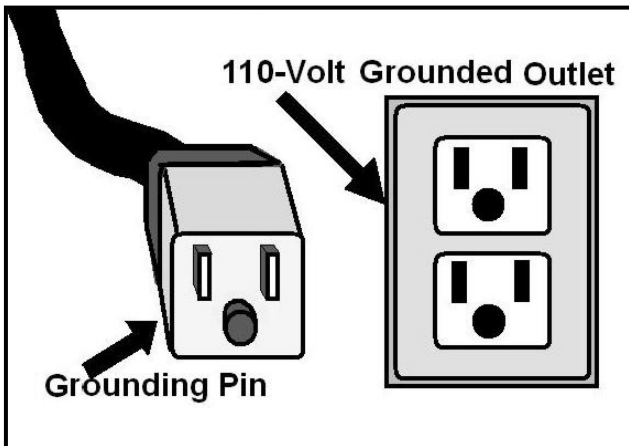


Figure-1 110-Volts outlet for CX415

WARNING!

Improper connection of the equipment-grounding conductor can result in a risk of electric shock. Check with a qualified electrician if you are in doubt as to whether the outlet is properly grounded.

It is strongly recommended not to use extension cords with your CX415. Always try to position your machine close to the power source so that you do not need to use extension cords.

If it is necessary to use an extension cord, make sure the extension cord does not exceed 50 feet in length and the cord is 14-gauge to prevent motor damage.

UNPACKING

The machine is properly packaged and shipped completely in a carton for safe transportation. When unpacking, carefully inspect the carton and ensure that nothing has been damaged during transit. Open it and check that the machine and the parts are in good condition.

CONTENTS	QTY
A. Collector Body & Motor Assembly	1
B. Base Plate	1
C. Casters	4
D. Collection Bag	1
E. Bag Clamp	1
F. Foam Strip	1
G. Dust Hood	1
H. Hose	10 Feet of 4"
I. Hose Clamp	2
J. Arm Support	1
K. Hose Mounting Bracket	1
L. Hardware Bag	1

While doing inventory, if you can not find any part, check if the part has already been installed on the machine. Some parts come pre-assembled for shipping purposes.

ASSEMBLY

To assemble your CX415, follow the instructions given below.

Position the base plate upside down and attach the casters using washers and nuts provided. See figure-2.

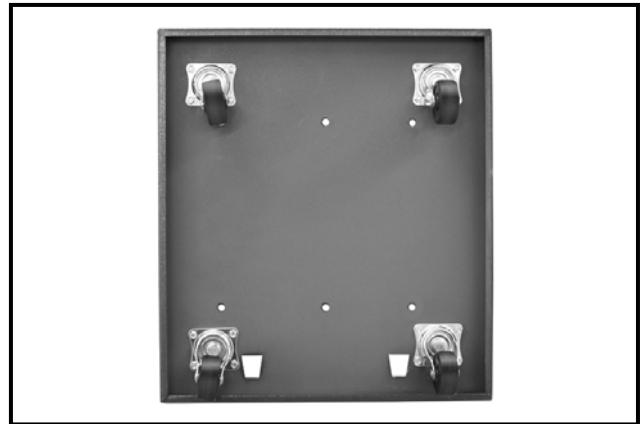


Figure-2 Installing the casters

Now position the base plate upright and attach the collector body and the motor assembly onto the base plate shown in figure-3. Secure it using bolts provided.

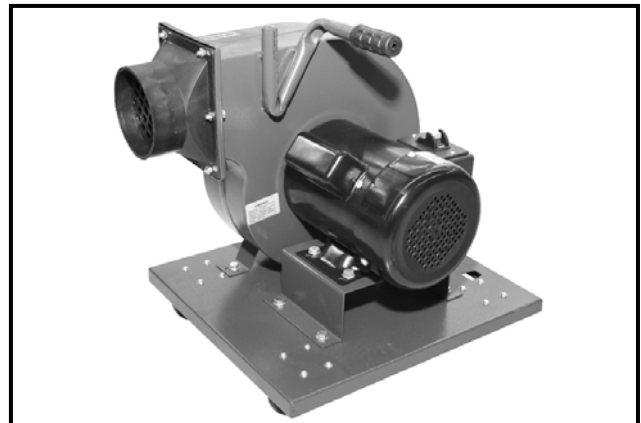


Figure-3 Collector body attached to the base plate

Attach the foam strip around the outfeed port of the collector body and attach the collection bag onto the outfeed port. Secure the bag to the dust collector using bag clamp provided. See figure-4.



Figure-4 Installing the collection bag

Attach one end of the hose to the dust collector inlet and secure it using hose clamp provided. See figure-4.



Figure-5 Installing the hose to the inlet

Attach bracket to the support arm and secure it by tightening the clamp. See figure-6.

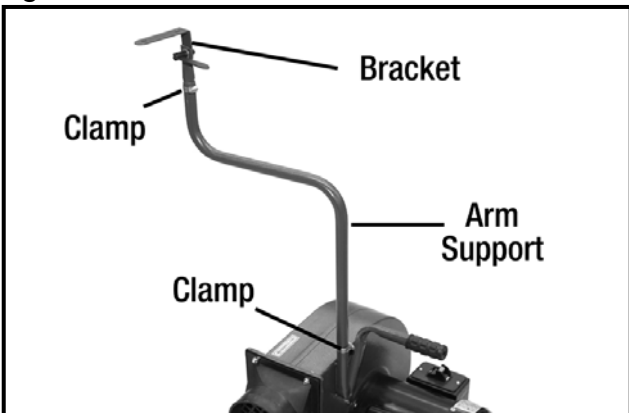


Figure-6 Installing the arm support

Attach the dust hood to the other end of the hose and secure it using hose clamp. See figure-7.

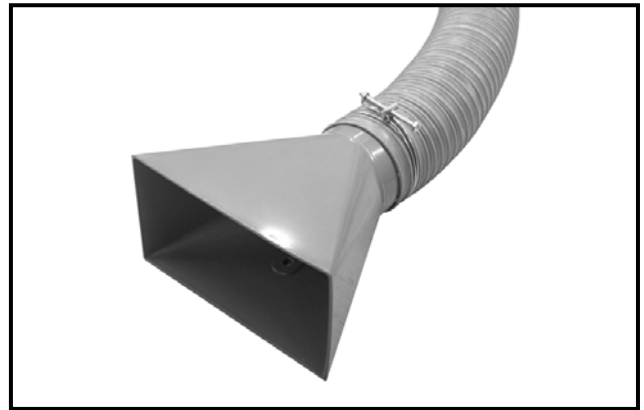


Figure-7 Attaching dust hood to the hose

Now, attach the dust hood with the hose onto the support arm bracket using bolts, washer and nuts provided. See figure-8.



Figure-8 Securing dust hood to the bracket

ON/OFF SWITCH

The On/Off switch on the CX415 features a removable safety key which prevents the dust collector from unauthorized use when removed. See figure-9.



Figure-9 ON/OFF switch with removable key

WARNING!

Before connecting the cord to the power source, make sure the switch is in the OFF position.

TEST RUN

Now that you have assembled your machine completely, it is time for a test run to make sure that the machine works properly and is ready for operation.

All the tools and objects used for assembling the machine should be removed and cleared away during the test run. Double check and ensure that all the parts attached are secured properly.

WARNING!

Before starting the dust collector, make sure that you have read and understood the manual and you are familiar with the functions and safety features on this machine. Failure to do so may cause serious personal injury.

Plug the cord to the correct power outlet and turn the dust collector ON. See if the dust collector operates correctly.

During the test run if there is any unusual noise coming from the machine or the machine vibrates excessively, shut off the machine immediately and disconnect the cord from the power source. Check all the parts you have assembled once again and investigate to find out the problem.

If the dust collector operates correctly, turn the machine OFF and remove the safety key on the switch.

Once the safety key is removed, turn the switch ON.

The machine should not run without the safety key. If the machine does not start, it means the safety feature is working properly.

OPERATION

CX415 dust collector is designed to be used with one machine at a time.

Operating this dust collector is simple and easy. Position the dust collector close to the machine, making sure that it is not interfering with each other.

Connect a hose with one end to the dust collector inlet and the other end to the machine outlet. Secure both ends using hose clamps.

WARNING!

Do not put your hand or small objects close to the inlet during operation. Objects sucked into the machine will hit the impeller and cause damage to the machine.

MACHINE STORAGE

When the dust collector is not in use, disconnect the cord from the power source and store the machine in a dry place. Do not expose the machine to rain. Make sure to keep the cord away from potential damage sources such as; sharp objects, chemicals, heat sources and water.

MAINTENANCE

During the life of your machine, you will need to practice some regular maintenance to keep your dust collector in peak performance condition.

WARNING!

Make sure the machine is turned off and the cord is disconnected from the power source before servicing and removing/replacing any components on the machine.

Check the dust collector daily for loose mounting bolts/screws, damaged wires, worn switch, full collection bag and any other unsafe condition.

LUBRICATION

Since all the bearings are shielded and permanently lubricated, they do not need to be lubricated.

EMPTYING COLLECTION BAG

The collection bag on your dust collector must be checked and emptied regularly. The machine operates at a much higher level of efficiency when the collection bag is empty. Always empty the bag on a regular basis. Make sure to wear the appropriate respirator or dust mask and safety glasses when emptying the collection bag.

MOTOR

Excessive dust in the motor could cause overheating. Every effort should be made to prevent foreign material from entering the motor. When operated under conditions likely to permit accumulation of dust and dirt within the motor, a visual inspection should be made at frequent intervals. Accumulations of dry dust can usually be blown out. Use a low-pressure air hose.

IMPELLER SCREW

The impeller screw might get loosened with use after a period of time. Check the impeller once a month to ensure that impeller screws are tight, securing the impeller on the shaft.

Make sure the machine is turned off and the cord is disconnected from the power source.

Access the impeller screws through the inlet cover on the machine and tighten to secure the impeller on the shaft.

WARNING!

When performing the maintenance operation you should always wear safety goggles and a dust mask. If the power cord becomes worn or frayed do not use the dust collector until it is replaced with a new one.

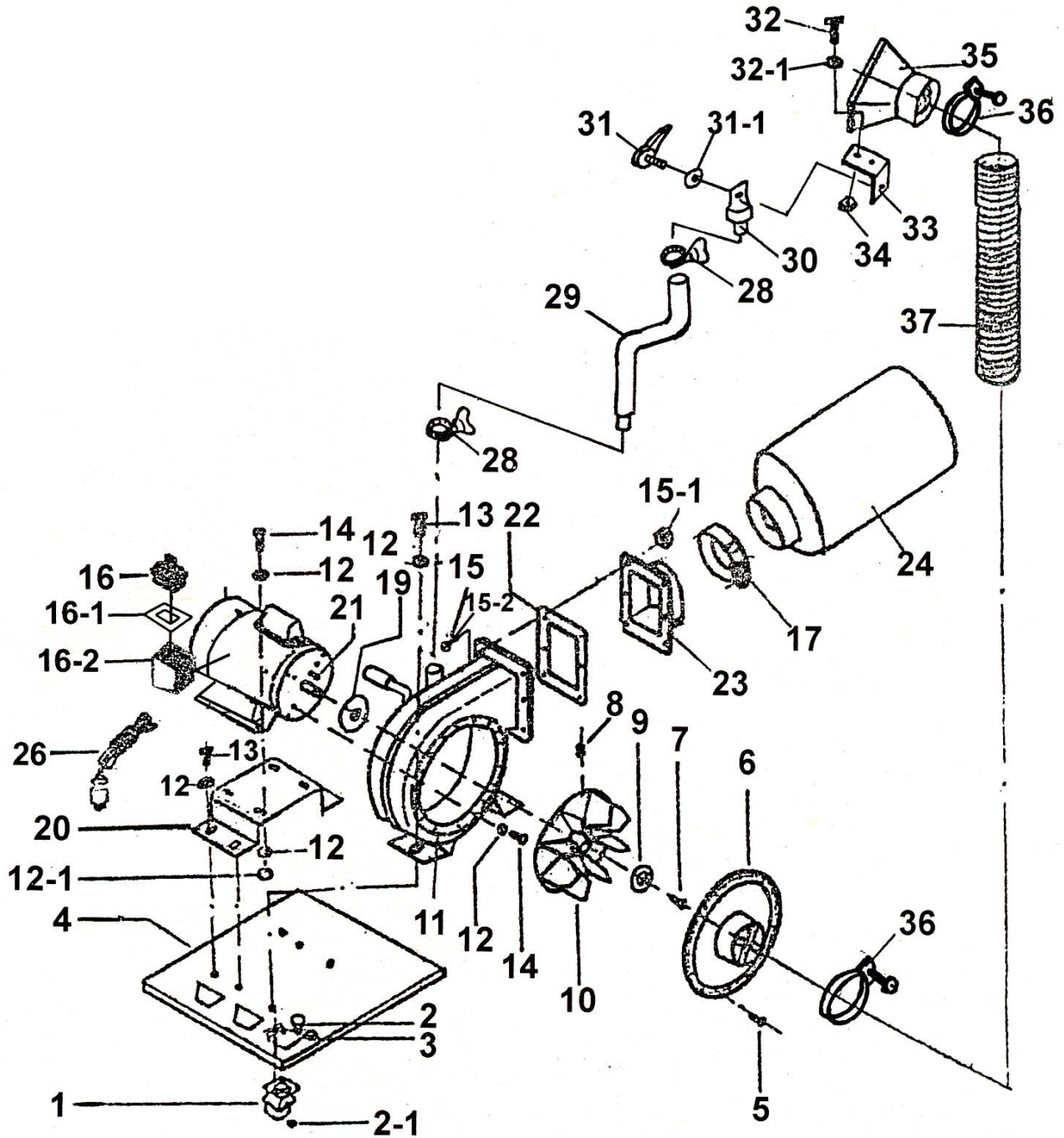
USEFUL NOTES!

Wood dust can be very dangerous if one is exposed to it very often. As dust collection had gained popularity over the years, so has consumer knowledge about this concern, but it is always good to know just how dangerous wood dust can be if overexposure and or unsafe woodworking practice takes place.

Health Risk and Hazards that can be caused by exposure to wood dust include the following:

- *Asthma*
- *Eye Irritation*
- *Hypersensitivity*
- *Skin Irritation*
- *Dermatitis*
- *Suberosis*
- *Acute Airway Obstructions*
- *Chronic Bronchitis*
- *Granulomatous Pneumonitis*
- *Nasal Cancer*

CX415 PARTS DIAGRAM



CX415 PARTS LIST

NO	DESCRIPTION	QTY
1	Caster Wheel	4
2	Pan Head Screw	16
2 – 1	Hex. Nut	16
3	Spring Washer	16
4	Base	1
5	Pan Head Screw	12
6	Inlet Cover	1
7	Left Hand Cap Screw	1
8	Set Screw	1
9	Washer	1
10	Impeller	1
11	Impeller Housing	1
12	Washer	18
12 – 1	Hex. Nut	6
13	Hex. Bolt	6
14	Hex. Bolt	12
15	Hex. Bolt	6
15 – 1	Hex. Bolt	6
15 – 2	Washer	6
16	Switch	1
16 – 1	Switch Plate	1
16 – 2	Switch Box	1
17	Dust Bag Clamp	1
18	Motor	1
19	Gasket	1
20	Motor Support Plate	1
21	Key	1
22	Gasket	1
23	Outlet	1
24	Dust Bag	1
26	Power Cord	1
28	Arm Support Wire Clamp	2
29	Arm Support	1

30	Fixed Support	1
31	Lock Handle	1
31 - 1	Washer	1
32	Carriage Bolt	2
32 - 1	Washer	2
33	Dust Hood Bracket	1
34	Hex. Nut	2
35	Dust Hood	1
36	Hose Wire Clamp	2
37	4" x 10' Flexible Hose	1



WARRANTY

CRAFTEX 3 YEAR LIMITED WARRANTY

Craftex warrants every product to be free from defects in materials and agrees to correct such defects where applicable. This warranty covers **three years** for parts and 90 days for labour (unless specified otherwise), to the original purchaser from the date of purchase but does not apply to malfunctions arising directly or indirectly from misuse, abuse, improper installation or assembly, negligence, accidents, repairs or alterations or lack of maintenance.

Proof of purchase is necessary.

All warranty claims are subject to inspection of such products or part thereof and Craftex reserves the right to inspect any returned item before a refund or replacement may be issued.

This warranty shall not apply to consumable products such as blades, bits, belts, cutters, chisels, punches etceteras.

Craftex shall in no event be liable for injuries, accidental or otherwise, death to persons or damage to property or for incidental contingent, special or consequential damages arising from the use of our products.

RETURNS, REPAIRS AND REPLACEMENTS

To return, repair, or replace a Craftex product, you must visit the appropriate Busy Bee Tools showroom or call 1-800-461-BUSY. Craftex is a brand of equipment that is exclusive to Busy Bee Tools.

For replacement parts directly from Busy Bee Tools, for this machine, please call 1-800-461-BUSY (2879), and have your credit card and part number handy.

- All returned merchandise will be subject to a minimum charge of 15% for re-stocking and handling with the following qualifications.
- Returns must be pre-authorized by us in writing.
- We do not accept *collect* shipments.
- Items returned for warranty purposes must be insured and shipped pre-paid to the nearest warehouse
- Returns must be accompanied with a copy of your original invoice as proof of purchase. Returns must be in an un-used condition and shipped in their original packaging a letter explaining your reason for the return. Incurred shipping and handling charges are not refundable.
- Busy Bee will repair or replace the item at our discretion and subject to our inspection.
- Repaired or replaced items will be returned to you pre-paid by our choice of carriers.
- Busy Bee reserves the right to refuse reimbursement or repairs or replacement if a third party without our prior authorization has carried out repairs to the item.
- Repairs made by Busy Bee are warranted for 30 days on parts and labour.
- Any unforeseen repair charges will be reported to you for acceptance prior to making the repairs.
- The Busy Bee Parts & Service Departments are fully equipped to do repairs on all products purchased from us with the exception of some products that require the return to their authorized repair depots. A Busy Bee representative will provide you with the necessary information to have this done.
- For faster service it is advisable to contact the nearest Busy Bee location for parts availability prior to bringing your product in for repairs.