



MODEL CX508
14" OSCILLATING
SPINDLE SANDER
USER MANUAL



COPYRIGHT © 2017 BY CRAFTEX INDUSTRIES INC.

NO PORTION OF THIS MANUAL MAY BE PRODUCED WITHOUT
THE WRITTEN CONSENT OF CRAFTEX INDUSTRIES INC.



Version 1.0

TABLE OF CONTENTS

General Safety Instructions.....	3
Specific Safety Instructions.....	4
CX508 Features.....	5
Physical Features	6
Unpacking.....	7
Workbench Load.....	7
Clean Up.....	7
Proper Grounding	8
Mounting On A Workbench.....	9
Switch Disabling Key	9
Sanding Drum/Sleeve Installation.....	10
Test Run	10
Sanding.....	11
Maintenance	11
Cleaning.....	11
Parts Diagram.....	12
Parts List.....	13
Warranty	14

GENERAL SAFETY INSTRUCTIONS FOR MACHINES

Extreme caution should be used when operating all power tools. Know your power tool, be familiar with its operation, read through the user manual and practice safe usage procedures at all times.

- ❖ **ALWAYS** read and understand the user manual before operating the machine.
- ❖ **CONNECT** your machine ONLY to the matched and specific power source.
- ❖ **ALWAYS** wear safety glasses respirators, hearing protection and safety shoes, when operating your machine.
- ❖ **DO NOT** wear loose clothing or jewelry when operating your machine.
- ❖ **A SAFE ENVIRONMENT** is important. Keep the area free of dust, dirt and other debris in the immediate vicinity of your machine.
- ❖ **BE ALERT! DO NOT** use prescription or other drugs that may affect your ability or judgment to safely use your machine.
- ❖ **DISCONNECT** the power source when changing drill bits, hollow chisels, router bits, shaper heads, blades, knives or making other adjustments or repairs.
- ❖ **NEVER** leave a tool unattended while it is in operation.
- ❖ **NEVER** reach over the table when the tool is in operation.
- ❖ **ALWAYS** keep blades, knives and bits sharpened and properly aligned.
- ❖ **ALL OPERATIONS MUST BE** performed with the guards in place to ensure safety.
- ❖ **ALWAYS** use push sticks and feather boards to safely feed your work through the machine and clamp the work-piece (when necessary) to prevent the work-piece from any unexpected movement.
- ❖ **ALWAYS** make sure that any tools used for adjustments are removed before operating the machine.
- ❖ **ALWAYS** keep the bystanders safely away while the machine is in operation.
- ❖ **NEVER** attempt to remove jammed cutoff pieces until the saw blade has come to a full stop.

CX508 – 14" OSCILLATING SPINDLE SANDER

SPECIFIC SAFETY INSTRUCTIONS

- ❖ Always inspect the stock for any nails, staples, knots or any other imperfections before sanding.
- ❖ For the protection of your eyes, always wear safety glasses, goggles or face shield while operating the sander.
- ❖ Never touch the moving sanding disc. Keep your hands and fingers away from the moving sanding disc. If the work-piece is small or difficult to hold, use work-piece holding fixture.
- ❖ Always support the work-piece on the work table against the rotating direction of the sanding sleeve.
- ❖ All guards must be in place while operating the sander to avoid any injuries.
- ❖ Do not use excessive force or jam a work-piece against the sanding surface. This can cause kick back or damage to the machine.
- ❖ Always sand work-pieces which are stable and if you have any doubt about the stability of the material, do not sand it.
- ❖ Make sure before making any adjustments, the switch is in the "OFF" position and the cord is un-plugged.
- ❖ Never leave the sander unattended while it is running.
- ❖ Do not use the sanding sleeves that are damaged or if the adhesive is not sticking firmly. If the sanding sleeve comes off during operation, it might cause damage to the work-piece or injury to the operators fingers.
- ❖ Always use the table insert that fits closest to the diameter of the installed sanding drum. A pinch hazard exists from the gap between the table and the sander. Always keep this gap as small as possible.
- ❖ Do not wear loose clothing, neckties, jewelry or gloves that can get caught in moving parts. Confine long hair and keep sleeves above the elbow.
- ❖ Make sure you have read and understood all the safety instructions in the manual and you are familiar with your sander, before operating it. If you fail to do so, serious injury could occur.

WARNING!

The safety instructions given above can not be complete because the environment in every shop is different. Always consider safety first as it applies to your individual working conditions.



CX508 – 14" OSCILLATING SPINDLE SANDER

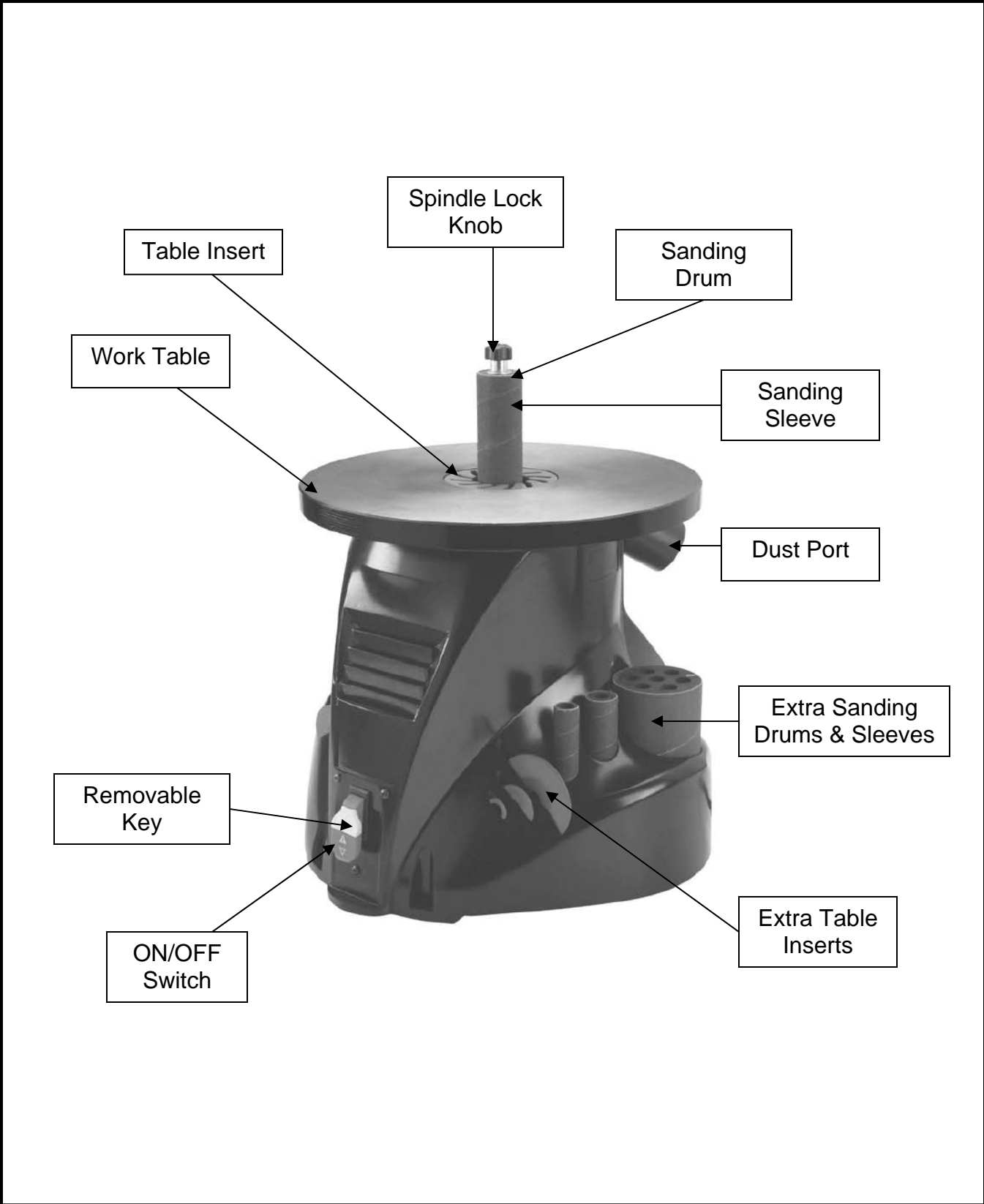
FEATURES

MODEL CX508 – 14" OSCILLATING SPINDLE SANDER

As part of the growing line of Craftex CX-Series woodworking equipment, we are proud to offer the CX508 a 14" Oscillating Spindle Sander. By following the instructions and procedures laid out in this user manual, you will receive years of excellent service and satisfaction. The CX508 is a professional tool and like all power tools, proper care and safety procedures should be adhered to.

- Motor..... 1/4-HP, 120-V, 60-Hz
- Amps..... 2.6 Amps
- Power Switch ON/OFF with Removable Locking Key
- No Load Speed..... 1725 RPM
- Speed 30 OPM
- Stroke 5/8"
- Table Top Diameter 14"
- Warranty 3 Years

PHYSICAL FEATURES



UNPACKING

The machine is properly packaged and shipped in a carton for safe transportation. When unpacking, carefully inspect the carton and ensure that it has not been damaged during transit. Open the carton and check that the machine and the parts are in good condition.

NOTE: While doing inventory, if you can not find any part, check if the part has already been installed on the machine. Some parts come pre-assembled for shipping purposes.

WORKBENCH LOAD

CX508 sander is not very heavy. If using a workbench, make sure to place the sander on a workbench that has the capacity to support the weight of the CX508 sander.

CLEAN UP

The unpainted surfaces of the machine are coated with a rust preventive waxy oil to prevent corrosion during shipment and storage. You will need to clean up this oil before operating the machine.

Put some cleaner or degreaser on the unpainted areas where rust preventive oil is and leave it for 5 minutes.

Use a rag and wipe off the oil. If the oil does not wipe off, repeat the above steps 2 to 3 times. Once the unpainted surfaces are clean, use metal protectant to prevent from rust.

PROPER GROUNDING

Grounding provides a path of least resistance for electric current to reduce the risk of electric shock.

Make sure the cord is plugged into a properly installed and grounded power outlet. To prevent electrical hazards, have a qualified electrician ensure that the line is properly wired.

Make sure that the sander is connected to an outlet having the same configuration as the plug. If an adaptor plug is used, it must be attached to the metal screw of the receptacle.

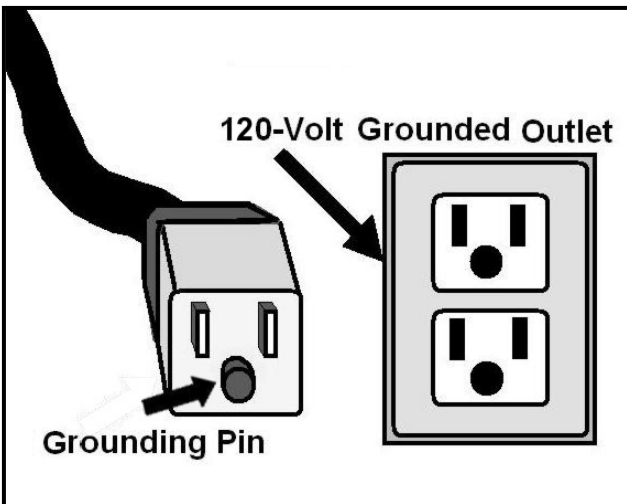


Figure-1 120-volts outlet for CX508

It is strongly recommended not to use extension cords with your CX508. Always try to position your machine close to the power source so that you do not need to use extension cords.

If you really find it necessary to use an extension cord, make sure the extension cord does not exceed 50-feet in length and the cord is 14-gauge to prevent motor damage.

WARNING!

Improper connection of the equipment-grounding conductor can result in a risk of electric shock. Check with a qualified electrician if you are in doubt as to whether the outlet is properly grounded.

MOUNTING ON A WORKBENCH

The CX508 features four pre-drilled holes on its base which allow mounting the sander to the workbench.

There are two ways to mount the sander onto the workbench; through mount and direct mount.

"Through Mount" is the strongest mounting option where the holes are drilled all the way through the workbench. Hex bolts, washers and hex nuts are used to secure the sander to the workbench. See figure-2.

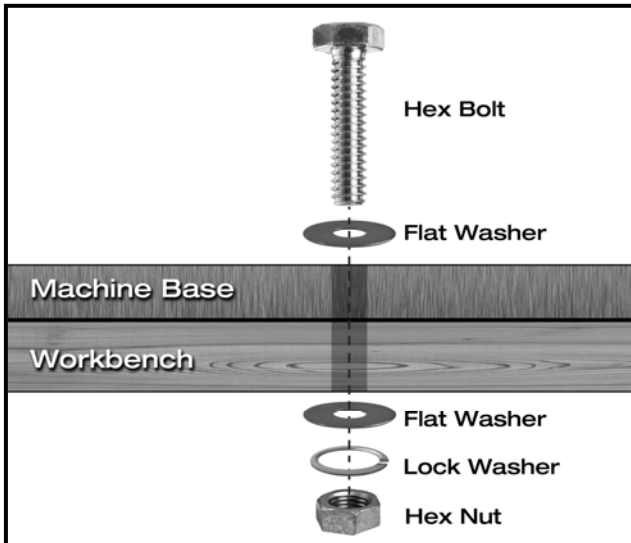


Figure-2 Through Mount

"Direct Mount" is to simply secure the sander to the workbench using lag screws. See figure-3.

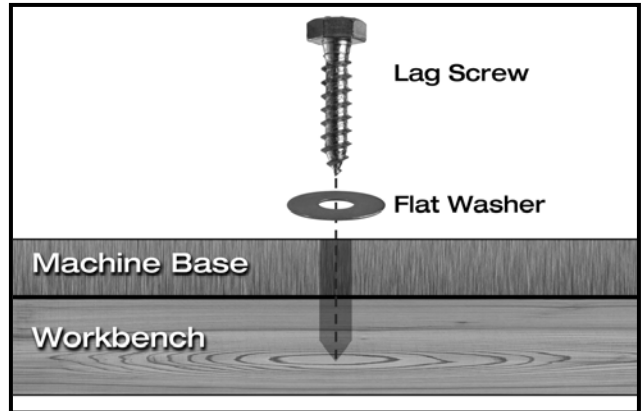


Figure-3 Direct Mount

SWITCH DISABLING KEY

The CX508 features a switch disabling key which prevents from unauthorized use.



Figure-4 Switch disabling key removed

When the machine is not used for a longer period of time, simply remove the switch disabling key and the ON/OFF switch will not work without it. To enable the switch, insert the key back to its place and you will then be able to turn ON the machine.

SANDING DRUM/SLEEVE INSTALLATION

To install the sanding drum and sleeve:

Make sure the cord is disconnected from the power source.

Hold the sanding drum and sleeve with one hand and use the second hand to loosen and remove the spindle lock nut.

Remove the spindle washer, sanding sleeve, sanding drum, table insert.

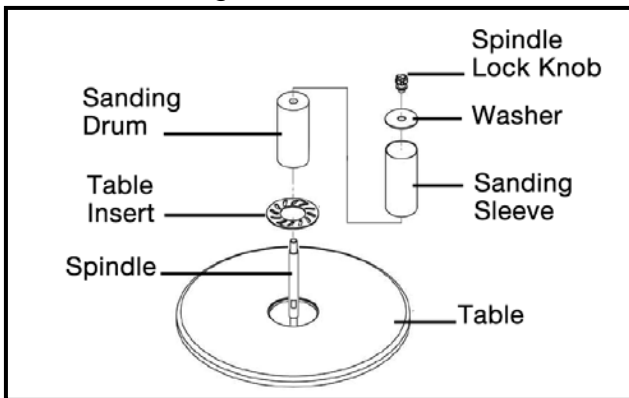


Figure-5 Removing/Installing sanding drum and sleeve

Clean the dust or debris on the table opening.

Choose the correct size sanding drum, sanding sleeve and table insert.

Install the desired sanding drum on the spindle shaft, followed by the sanding sleeve on the drum as shown in figure-5.

Secure the sanding drum with the approximate spindle washer and spindle lock nut. Tighten until the rubber sanding drum places slight pressure on the sanding sleeve.

TEST RUN

Once you have mounted your machine, it is then time for a test run to make sure that the machine works properly and is ready for operation.

To test run the machine:

Make sure you have read and understood the instructions given in the manual.

Remove and clear away all the tools and objects from the machine.

Connect the cord to the power source and turn ON the machine.

During the test run if there is any unusual noise coming from the machine or the machine vibrates excessively, shut off the machine immediately and disconnect the cord from the power source. Check all the parts you have assembled, once again and investigate to find out the problem.

If the machine runs smoothly with little or no vibration, then it is operating correctly.

Turn OFF the sander.

Remove the switch disabling key from the ON/OFF switch.

Try to turn ON the machine.

If the machine starts, immediately stop the machine and unplug the cord from the power source. Do not run the machine until this safety feature is fixed.

If the machine does not run, it means the switch disabling key is working properly and test is complete.

SANDING

To sand with the CX508.

Turn the sander ON and allow it to reach full speed.

Hold the work-piece with both hands and guide it against the rotation of the spindle. Do not force the work-piece against the sanding sleeve.

MAINTENANCE

During the life of your machine, you will need to practice some regular maintenance to keep your sander in peak performance condition.

WARNING!

Make sure the machine is turned OFF and the cord is disconnected from the power source before servicing and removing/replacing any components on the machine.

BEFORE EACH USE

Check for any worn or damaged wires
Check the sanding drum and sleeve for any wear or damage.
Check for any other unsafe condition

AFTER EACH USE

Turn the sander OFF.
Vacuum dust build up and clean up any sawdust or debris from the table or other parts of the sander.

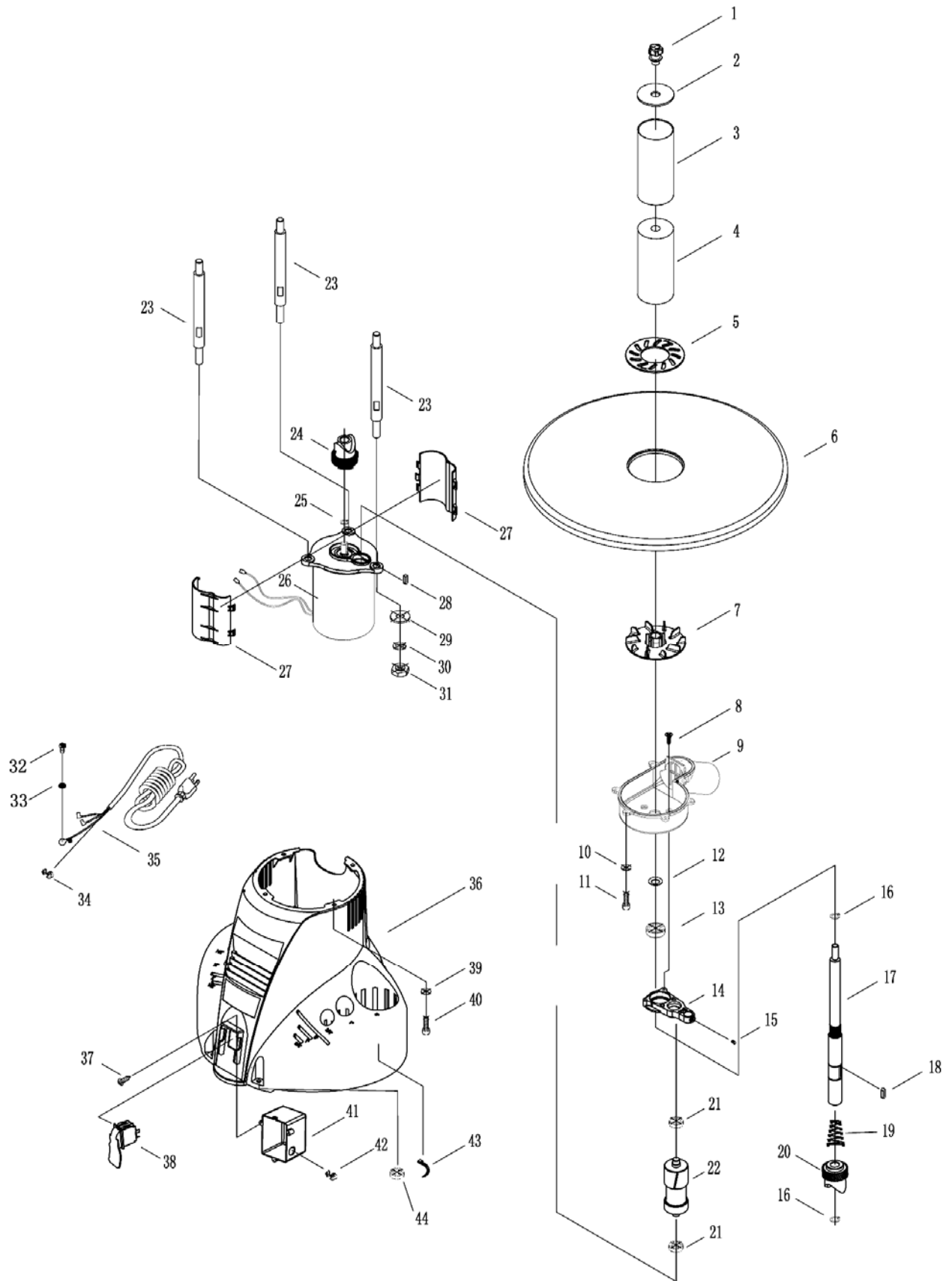
CLEANING

Wipe off the sawdust built up from the table surface and vacuum the dust from the motor fan area.

Wipe or vacuum out any dust particles from underneath the table insert and the table opening.

The moisture from the wood dust remaining on the table surface can cause rust. The table and other un-painted surfaces of the machine should be cleaned and wiped after every use to make sure that there is no moisture against bare metal surfaces. Then seal with an aerosol or paste wax.

CX508 PARTS DIAGRAM



CX508 PARTS LIST

No.	Description	Specification	Qty
1	Knob		1
2	Drum Washer	3/4",1",1-1/2",2",3"	1 set include 5 pcs
3	Abrasive Sleeve	1/2",3/4",1",1-1/2",2",3"	1 set include 6 pcs
4	Rubber Drum	3/4",1",1-1/2",2",3"	1 set include 5 pcs
5	Table Inserts	1/2",3/4",1",1-1/2",2",3"	1 set include 6 pcs
6	Table	14" round table	1
7	Fan		1
8	Hex Sunk Screw	M5×10	2
9	Fan Housing		1
10	Flat washer	Φ5	6
11	Hex Socket Head Bolt	M5×12	6
12	Seal	Φ16×Φ30×2.5	1
13	Bearing	6003-2Z	1
14	Top Bearing Bracket		1
15	Set Screw	M5x6L	1
16	Circlip For Shaft	Φ17	2
17	Shaft		1
18	Flat Key	5x5x20L	1
19	Spring		1
20	Flange Bevel Gear		1
21	Bearing	6001-2Z	2
22	Gear Shaft		1
23	Motor Stud		3
24	Flange Straight Gear		1
25	Circlip For Shaft	Φ12	1
26	Motor	120V/60Hz	1
27	Sound Insulation Cover		2
28	Diode Rectfier Bridge		1
29	Flat Washer	Φ10	3
30	Spring Washer	Φ10	3
31	Hexnut	M10	3
32	Hex Pan Head Screw	M5×10L	1
33	Serrated Washer	Φ5	1
34	Strain Relief	6P-4	2
35	Power Cord	18AWG/3C×2.5m(L)	1
36	Base		1
37	Hex Pan Head Tapping Screw	ST4×8	3
38	Switch	HY7(1
39	Flat Washer	Φ6	4
40	Hex Socket Head Screw	M6×12L	4
41	Switch Box		1
42	Strain Relief	5P-4	1
43	Nylon Ribbon	2.5X100(ROHS)	1
44	Foot	Black Rubber	4



WARRANTY

CRAFTEX 3 YEARS LIMITED WARRANTY

Craftex warrants every product to be free from defects in materials and agrees to correct such defects where applicable. This warranty covers **three years** for parts and 90 days for labour (unless specified otherwise), to the original purchaser from the date of purchase but does not apply to malfunctions arising directly or indirectly from misuse, abuse, improper installation or assembly, negligence, accidents, repairs or alterations or lack of maintenance.

Proof of purchase is necessary.

All warranty claims are subject to inspection of such products or part thereof and Craftex reserves the right to inspect any returned item before a refund or replacement may be issued.

This warranty shall not apply to consumable products such as blades, bits, belts, cutters, chisels, punches etceteras.

Craftex shall in no event be liable for injuries, accidental or otherwise, death to persons or damage to property or for incidental contingent, special or consequential damages arising from the use of our products.

RETURNS, REPAIRS AND REPLACEMENTS

To return, repair, or replace a Craftex product, you must visit the appropriate Busy Bee Tools showroom or call 1-800-461-BUSY. Craftex is a brand of equipment that is exclusive to Busy Bee Tools.

For replacement parts directly from Busy Bee Tools, for this machine, please call 1-800-461-BUSY (2879), and have your credit card and part number handy.

- All returned merchandise will be subject to a minimum charge of 15% for re-stocking and handling with the following qualifications.
- Returns must be pre-authorized by us in writing.
- We do not accept *collect* shipments.
- Items returned for warranty purposes must be insured and shipped pre-paid to the nearest warehouse
- Returns must be accompanied with a copy of your original invoice as proof of purchase. Returns must be in an un-used condition and shipped in their original packaging a letter explaining your reason for the return. Incurred shipping and handling charges are not refundable.
- Busy Bee will repair or replace the item at our discretion and subject to our inspection.
- Repaired or replaced items will be returned to you pre-paid by our choice of carriers.
- Busy Bee reserves the right to refuse reimbursement or repairs or replacement if a third party without our prior authorization has carried out repairs to the item.
- Repairs made by Busy Bee are warranted for 30 days on parts and labour.
- Any unforeseen repair charges will be reported to you for acceptance prior to making the repairs.
- The Busy Bee Parts & Service Departments are fully equipped to do repairs on all products purchased from us with the exception of some products that require the return to their authorized repair depots. A Busy Bee representative will provide you with the necessary information to have this done.
- For faster service it is advisable to contact the nearest Busy Bee location for parts availability prior to bringing your product in for repairs.